



# International Gas Detectors

## TOCSIN 750 SERIES ROOM STATUS INDICATOR

Advanced Addressable 2-Wire Gas Detection System

TOC 750 Series Room Status Indicators, included as part of a gas detection system are used to provide clear room entry status. Up to 8 Detector readings can be sequentially displayed. On alarm the display changes from Green to Red with clear written indication "Gas Alarm". An audible alarm is also generated. Fault indications are displayed as Amber with "System Fault" displayed. In addition a relay is provided and multi-function ports. These can be configured as SSR outputs to control for example additional audible visual devices. Alternatively they can be configured as 4-20mA or digital inputs to interface other devices onto the system. For example break glass units, temperature, pressure or humidity probes and similar.



▶ **EASY TO INSTALL**

Just one **2-Core** cable minimising costs. No cable polarity for fast & easy install. One-click auto-setup & self check, ready to use.

▶ **LIVE GAS READINGS**

Room Status Indicators can be setup to provide live gas readings for up to 8 connected detectors. Know a room/areas gas levels without going to the control panel.

▶ **CLEAR UNAMBIGUOUS ALARM INDICATION**

Prevents confusion on-site between similar visual alarms, for example, fire alarms, flood alarms or other process alarms. Room status indicators clearly show room relevant information and alarms using in-built sounder and colour change display.

▶ **REASSURINGLY COMPETENT**

Designed and manufactured in the UK by IGD Backup by 10-year Warranty\*. All compliance supported by a third-party certification.



\* Terms and Conditions Apply

Always use latest version data sheets from IGD website



# THE POWER OF



One 2-Core Cable - Everything Connected

## ROOM STATUS INDICATOR

Advanced Addressable 2-Wire Gas Detection System

The Sentinel +™ 2-Wire technology is an advanced digitally communicating gas detection system from IGD. The system provides fast efficient error free performance specifically designed to meet the unique requirements posed by gas detection hazards. Room status indicators can be added as part of the same gas detector cabling. They provide clear unambiguous alarm indication as part of a gas detection system. Overall the system provides ultimate flexibility to link your gas detection system to provide alarms, interface to plant shut down hardware and communicate clearly to BMS and similar systems. 2-Core cabling for both power and communication with no polarity requirement means cabling is minimised, reducing system costs with no compromise.



T750



T635



T650

**COMPATIBLE CONTROL PANELS**



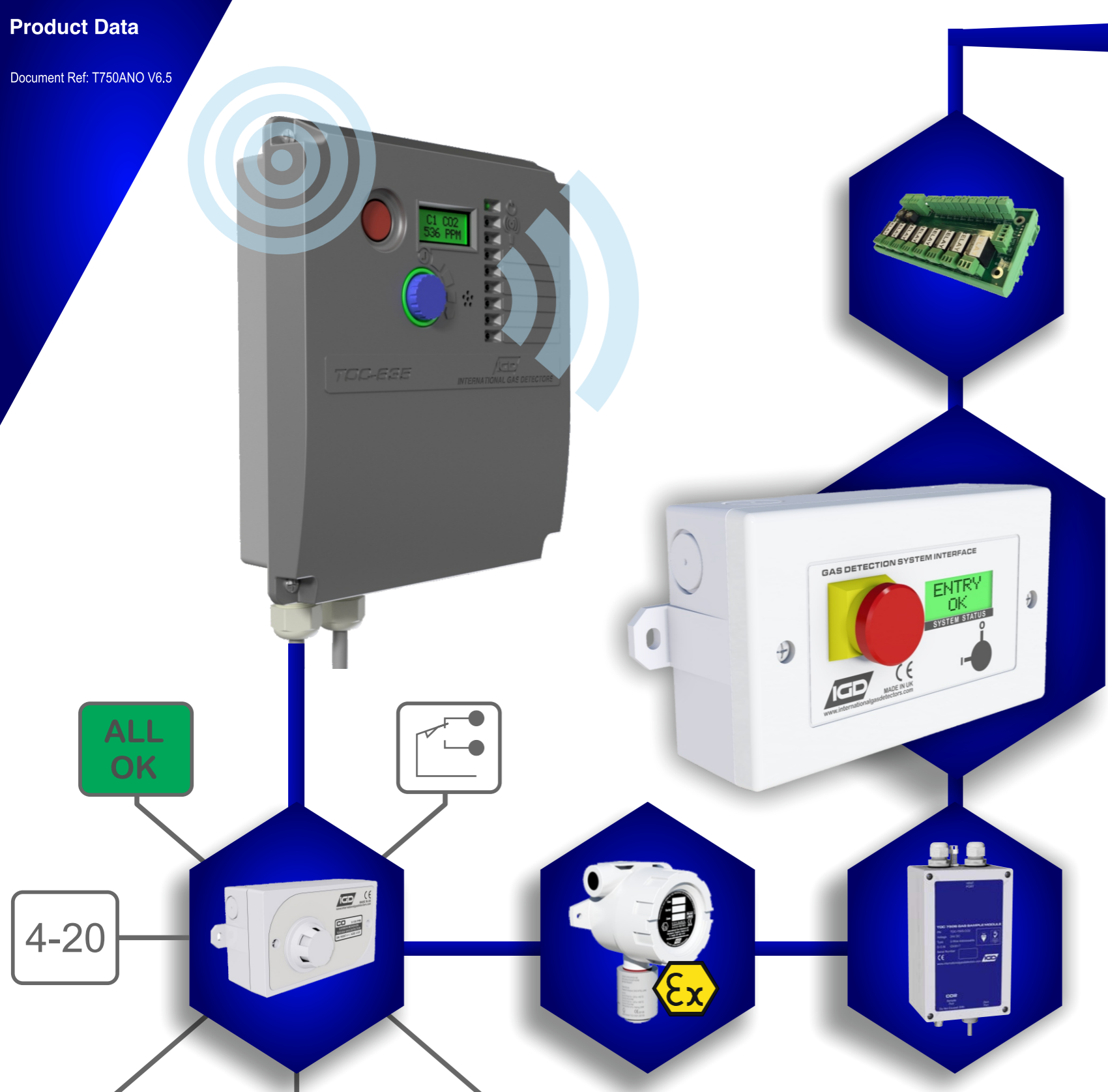
One 2-Core Cable Run. Many Possibilities.  
Up to 32 Detectors/Nodes/Room Status Indicators per a Cable Run.

### COMPARISON

FUNCTIONS	TOC-750-ANN	TOC-750-AN1	TOC-750-AN2	TOC-750-AN3	TOC-750-AN5
Multifunction I/O Ports	Y	Y	Y	Y	Y
Relay	Y	Y	Y	Y	Y
Sounder	Y	Y	Y	Y	N
Display	Y	Y	Y	Y	Y
E-Stop	N	Y	N	Y	N
Key Switch	N	N	Y	Y	N
RGB Display	Y	Y	Y	Y	Y
System Reset Button	N	N	N	N	Y

# THE POWER OF

One 2-Core Cable - Everything Connected



## Advanced Addressable 2-Wire Gas Detection System

IGD's addressable Room Status Indicator is the next step in gas detection evolution. The status indicator allows you to show live readings of up to 8 detectors/devices in the specified rooms. The system provides both a visual and audible indication of the rooms current status. The door status indicator allows you to instantly know the current hazard in the room without confusing it with a fire alarm. Room status indicators provide clear unambiguous alarm indication.

OPTIONS	SAFE AREA	ATEX	SAMPLER	RSI
Sensor I/P Toxic, IR, PID	①	①	②	(N)
Sensor I/P Pellistor	①	①	①	①
4-20mA I/P *	②	② <sup>†</sup>	(N)	②
Digital I/P *	②	② <sup>†</sup>	(N)	②
Counter I/P *	②	② <sup>†</sup>	(N)	②
Relay O/P *	②	② <sup>†</sup>	(N)	①
Digital O/P *	②	② <sup>†</sup>	④	②
2 x 8 Display	(N)	①	(N)	①
Sounder	① <sup>††</sup>	(N)	(N)	①
Estop	(N)	(N)	(N)	①
Key Switch	(N)	(N)	①	①

### KEY

- Room Status Indicator
- Control Relay
- mA Input Signal
- Beacon - Sounder
- Digital Input
- E-Stop / Break Glass / Call Point

- <sup>†</sup> In order to utilise this option a break out junction box is required.
- \* 2 Multi-Function I/O Ports. Option Selectable in Any Combination
- <sup>††</sup> 750B Version With Audible and Visual Alarms
- ① Number available per a detector.

## SPECIFICATIONS

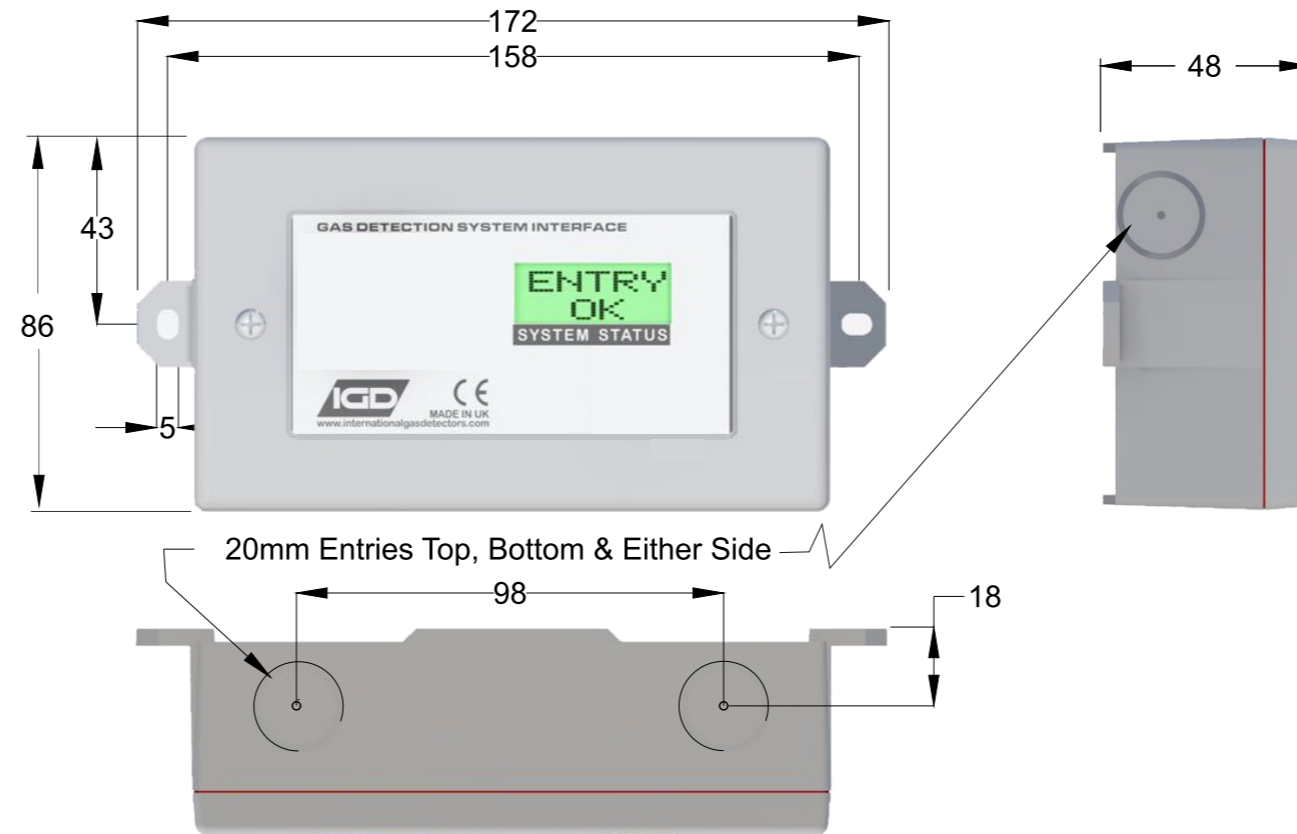
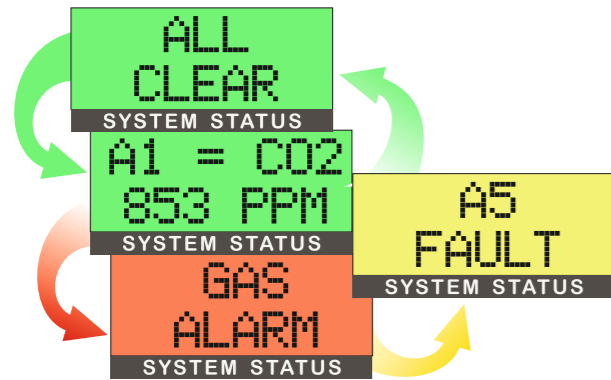
Power	12 to 26V DC	I/O	1 off SPCO Relays 4A/230V AC Non-Inductive User Configurable from 650/750 Controllers 2 multifunction ports as: Digital Input Max 0.2Hz Digital Input 0-3V Max 0.2Hz 4-20mA input or Solid State Output 24V DC Max 100mA shared Across both Ports Input From TOC-10 Link Function
Construction	ABS	Temperature	0 to 55 Deg C
Display	2 Lines x 8 Digit LCD Display	Humidity	0-95% RH Non-Condensing
User	Options for E-Stop and Key Switch	Sealing	IP54
Sensor	Direct Pellistor Interface  Input for IGD Toxic, Oxygen, Infra red and PID detectors	Mounting	Wall Mount
Sounder	85dB	Weight	0.2Kg
Communication	IGD Sentinel+ Protocol, 2-Wire Connection A,B		

## ORDER CODES

Part Number	Description
TOC-750-ANN	Room Status Indicator Base Unit
TOC-750-AN1	Room Status Indicator Base Unit with E Stop
TOC-750-AN2	Room Status Indicator Base Unit with Key Switch
TOC-750-AN3	Room Status Indicator Base Unit with Key Switch & E Stop
TOC-750-AN5	Room Status Indicator Base Unit with Alarm Reset Button
TOC-750-NDE	Room Status Indicator No display. I/O Functions Only

## DIMENSIONS

Please Note: Product shown is the TOC-750-ANN



TOC-750-AN1



TOC-750-AN2



TOC-750-AN3



## FEATURES

- Minimal Cabling, add to same cable run as detectors
- Clear Visual and Audible alarms at room entries and sensitive areas
- Built in control relay and I/O ports as standard
- Can be setup to display up to 8 parameters (gas values etc)
- Options for built in slam switch
- Options for local alarm mute and/or reset
- Configure I/O ports as 4-20mA inputs and read in other sensor types
- Add a close coupled sensor using built in interfaces

## CABLES

### Installation Cables

Supported Installation Cables 2 Core 1.5mmSQ or 2.5mmSQ See IGD Cable System Calculator

Typically SWA, MICC, FP200, SY, CY Screened or Similar





International Gas Detectors

# EC Declaration of Conformity

Declares that the product listed as:

**TOC-750-ROOM STATUS INDICATOR**

Addressable Gas Detection Control Panel

Issuers name and address:

Oliver IGD Limited of  
Triton House  
Crosby St,  
Stockport,  
SK2 6SH  
United Kingdom

Are in conformity with the provisions of the following European Directive(s) when installed, operated, serviced and maintained in accordance with the installation and operating instructions contained in the product documentation.

**2004/108/EC**      **EMC Directive**  
**2014/35/EU**      **Low Voltage Equipment Directive** (note not applicable to 24V DC Powered Versions)

And that the standards and/or technical specifications referenced below have been applied or considered.

- IEC 60079-0:2017 7th Ed      Explosive Atmospheres Equipment General Requirements
- IEC 60079-29-1:2016 2nd Ed      Explosive Atmospheres. Gas Detectors. Performance Requirements of Detectors for Flammable Gases.
- EN 50270      Electromagnetic compatibility - Electrical Equipment for the Detection and Measurement of Combustible Gases, toxic Gases or Oxygen
- IEC 60529      Degree of Protection to IP54
- EN 50271      Electrical apparatus for the detection and measurement of combustible gases, toxic gases or oxygen. Requirements and tests for apparatus using software and/or digital technologies
- EN 60335:2012+A11:2014      Electrical Safety

Technical File Reference      T750ANO-TF9

Oliver IGD Limited Operate an Independently assessed ATEX/IECEX QAN.

Quality Assurance Certificate Number  
**16PQAN0014**

Quality Assurance Notification Number:  
**2585**



Units 16-18 Abenbury Way,  
Wrexham Industrial Estate,  
Wrexham, LL13 9UZ  
United Kingdom



FS646773      EMS696504

Oliver IGD Limited operate an independently assessed ISO9001:2015 Quality Management and ISO14001:2015 Environmental Management System

Certificate Numbers  
**FS0646773 & EMS696504**

BSI Assurance UK LTD,  
London, W4 4AL  
United Kingdom



IMQ S.p.A con Socio Unico  
Via Quintiliano 43  
Italia 20138 Milano  
www.imq.it



[Ex Gb] IIC

Report Ref **AT19-0036585-01**

Issued by:      Oliver IGD Limited, Stockport, SK2 6SH , United Kingdom

Signature:

Declaration of Conformity in accordance with EN ISO/IEC 17050-1:2010

Name:      Andrew J Collier M.I.O.D

Position:      Managing Director

Date:      17 Feb 2020

Declaration Ref: T750ANO-DEC-6



FS646773      EMS696504

internationalgasdetectors.com  
+44 (0)161 483 1415  
sales@internationalgasdetectors.com  
/international-gas-detectors-ltd

Triton House  
Crosby Street  
Stockport  
SK2 6SH