



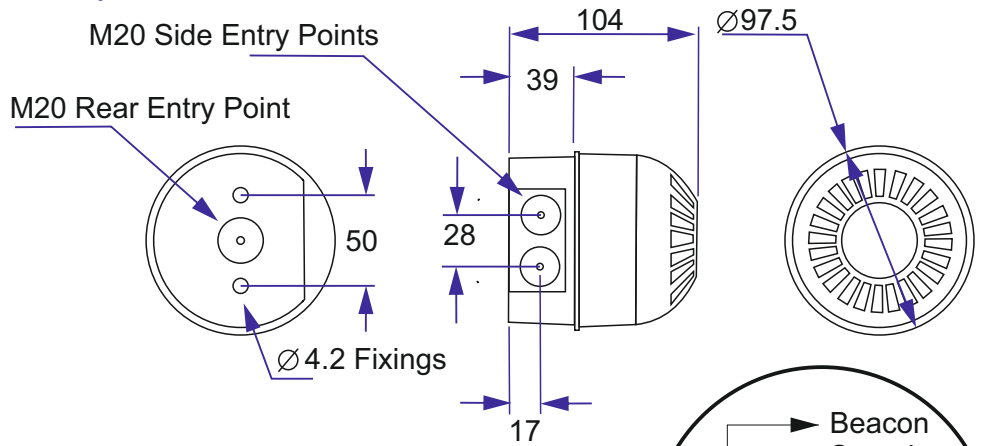
# International Gas Detectors

Beacon - Sounder PN 5083101 User Instructions

## Specifications

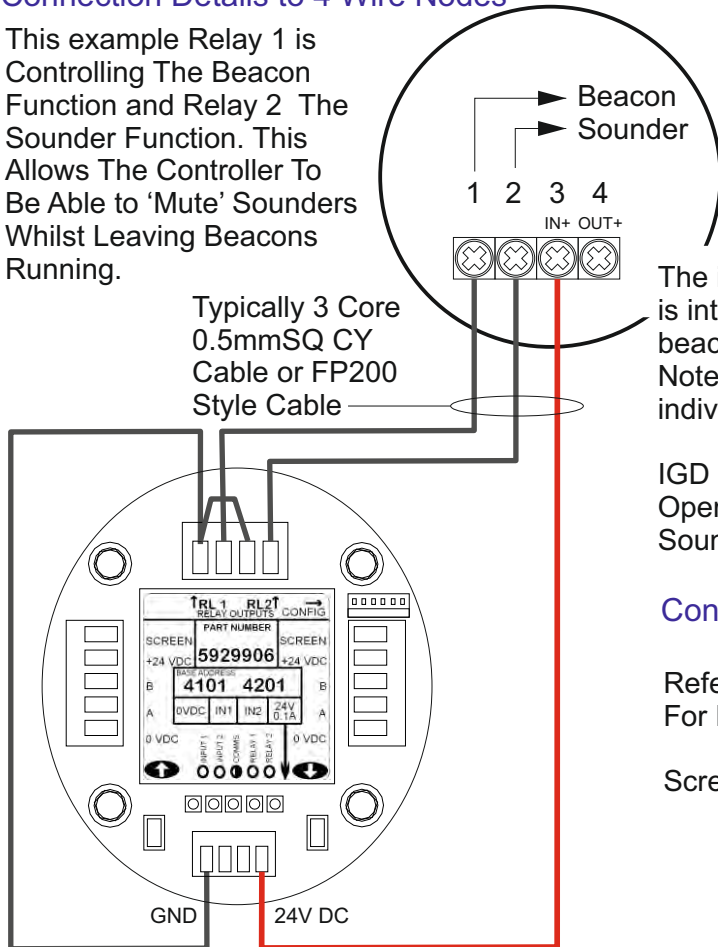
Part Number	5083101
Base Colour	Red
Lens Colour	Amber
Audibility @ 1M	Up to 106 dB
Tones	32
Voltage	17-60V DC
Sounder Current	45mA Max
Beacon Current	5mA
IP Rating	IP65
Cable Entries	2 x 20mm
Temperature	-25°C to 70°C
Rating	Continuous
Frequency	400 to 2850 Hz
Construction	Flame Retardant Polycarbonate

## Physical

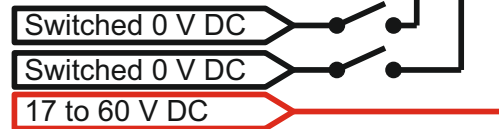


## Connection Details to 4 Wire Nodes

This example Relay 1 is Controlling The Beacon Function and Relay 2 The Sounder Function. This Allows The Controller To Be Able to 'Mute' Sounders Whilst Leaving Beacons Running.



## Connection Details General



The internal node 24V DC supply is fused at 100mA. This supply is intended for switching piezo sounders and LED low power beacons only.

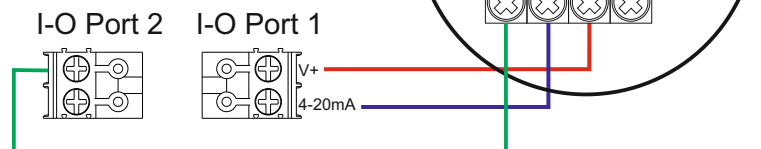
Note the unit requires a permanent 24V DC Supply and individual switched 0V DC for Beacon and Sounder functions

IGD Supplied Beacon Sounder PN 5083101 Draws 11mA in Operation using default settings Allowing a number of Beacon Sounders to be Slaved Together

## Connection Details to 2 Wire Nodes

Refer to 2-Wire Installers Guide For Full Details

Screen all Field Cabling



Tel: +44 (0)161 483 1415  
 Fax: +44 (0) 161 484 2345  
 Email: sales@internationalgasdetectors.com  
 Website: www.internationalgasdetectors.com





# International Gas Detectors

## Beacon - Sounder PN 5083101 User Instructions

### Tone Selection

Tone	Tone Type	Tone Description - Application	DIP Switch	dB @ 1M	mA	
1.	————	970Hz	O-O-O-O-O	99	21	
2.	□□□□	800Hz/970Hz @ 2Hz	O-O-O-O-I	100	20	
3.	∕∕∕∕	800Hz – 970Hz @ 1Hz	O-O-O-I-O	100	20	
4.	- - - -	970Hz 1s OFF/1s ON	O-O-O-I-I	99	14	
5.	□□□□	970Hz, 0.5s/ 630Hz, 0.5s	O-O-I-O-O	99	19	
6.	□□□□	554Hz, 0.1s/ 440Hz, 0.4s (AFNOR NF S 32 001 )	O-O-I-O-I	97	13	
7.	∕ ∕ ∕	500 – 1200Hz, 3.5s/ 0.5s OFF (NEN 2575:2000)	O-O-I-I-O	99	16	
8.	- - - -	420Hz 0.625s ON/0.625s OFF (Australia AS1670 Alert tone)	O-O-I-I-I	96	9	
9.	∕ ∕ ∕	500 – 1200Hz, 0.5s/ 0.5s OFF x 3/1.5s OFF ( AS1670 Evacuation)	O-I-O-O-O	98	10	
10.	□□□□	550Hz/440Hz @ 0.5Hz	O-I-O-O-I	97	14	
11.	- - - -	970Hz, 0.5s ON/0.5s OFF x 3/ 1.5s OFF (ISO 8201 )	O-I-O-I-O	98	12	
12.	- - - -	2850Hz, 0.5s ON/0.5s OFF x 3/1.5s OFF (ISO 8201)	O-I-O-I-I	94	21	
13.	∕∕∕∕	1200Hz – 500Hz @ 1Hz (DIN 33 404)	O-I-I-O-O	99	17	
14.	————	400Hz	O-I-I-O-I	95	13	
15.	□□□□	550Hz, 0.7s/1000Hz, 0.33s	O-I-I-I-O	98	17	
16.	∕∕∕∕	1500Hz – 2700Hz @ 3Hz	O-I-I-I-I	104	34	
17.	————	750Hz	I-O-O-O-O	99	18	
18.	————	2400Hz	I-O-O-O-I	106	45	
19.	————	660Hz	I-O-O-I-O	96	17	
20.	- - - -	660Hz 1.8s ON/1.8s OFF	I-O-O-I-I	96	12	
21.	- - - -	660Hz 0.15s ON/0.15s OFF	I-O-I-O-O	96	11	Default
22.	□□□□	510Hz, 0.25s/ 610Hz, 0.25s	I-O-I-O-I	98	15	
23.	□□□□	800/1000Hz 0.5s each (1Hz)	I-O-I-I-O	100	21	
24.	∕∕∕∕	250Hz – 1200Hz @ 12Hz	I-O-I-I-I	98	13	
25.	∕∕∕∕	500Hz – 1200Hz @ 0.33Hz	I-I-O-O-O	99	17	
26.	∕∕∕∕	2400Hz – 2900Hz @ 9Hz	I-I-O-O-I	101	40	
27.	∕∕∕∕	2400Hz – 2900Hz @ 3Hz	I-I-O-I-O	104	40	
28.	∕∕∕∕	800Hz – 970Hz @ 100Hz	I-I-O-I-I	100	20	
29.	∕∕∕∕	800Hz – 970Hz @ 9Hz	I-I-I-O-O	99	20	
30.	∕∕∕∕	800Hz – 970Hz @ 3Hz	I-I-I-O-I	100	20	
31.	- - - -	800Hz, 0.25s ON/1s OFF	I-I-I-I-O	99	8	
32.	∕ ∕ ∕	500Hz – 1200Hz, 3.75s/0.25s OFF (AS2220)	I-I-I-I-I	99	17	

### Installation

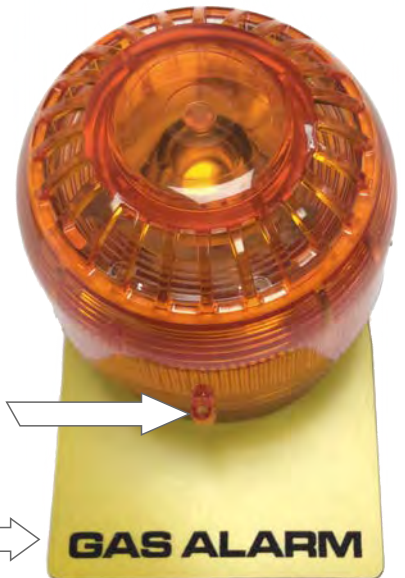
If required the beacon sounder can be locked to its base using its locking screw.

The O ring supplied must be fitted and suitable glands fitted to achieve IP65 Sealing.

A separate earth terminal is provided for the continuous connection of screens or functional earthing

'Gas Alarm' legends are provided as standard and are fitted using the beacon sounder fixings.

The default setting minimises power requirements for addressable installations. Check power usage before making changes that could affect system operation



Locking Screw →

Gas Alarm Legend →

**GAS ALARM**