

PRODUCT DATA SHEET

www.internationalgasdetectors.com

OLIVER IGD

Control Systems

Transmitters

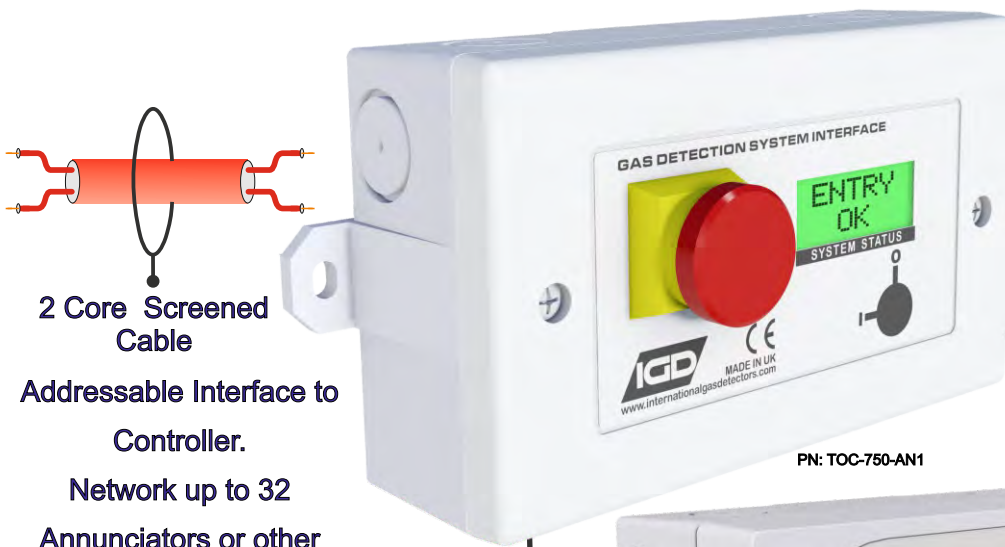
Sensors

Accessories

TOCSIN 750 SERIES ROOM STATUS INDICATOR

Addressable Gas Detection Interface Point

2-Wire Addressable Systems



- Sounder
- Display Shows: Reading-Message-Alarm RGB
- Relay Output
- 2 off Solid State Beacon Sounder Output
- ← 2 off Digital Inputs, 4-20mA Inputs or TOC-10 Inputs
- ← E-Stop
- ← Key Switch
- ← Gas Detector Input Flammable - Toxic - Oxygen Detection

Addressable Interface to Controller.
Network up to 32 Annunciators or other Addressable Devices per Highway.

Clear
Effective
Reliable
Protection



Feature Rich

Colour RGB Status Display

Install 750 Series Room Status Indicator (Annunciators) for effective Door Entry Protection or for Room Status Display. Green Display with Message When all is Good Changing to Flashing Red with Message in Alarm. With its Built in Sounder, 750 Annunciators Provide Clear Unambiguous Indication. **Know Instantly The Hazard and Don't Confuse With Fire or Security Alarms.** In addition to this 750 Series Annunciators Include Interfaces For Gas Detectors and Other System Devices Providing Simple Installation with Enhanced Safety

Sounder 

Slam Switch 

Control Relay 

Digital or Analogue Device Inputs 

Gas Detectors For Flammable Gases Toxic Gases or Oxygen Detection 

IGD
International Gas Detectors
CH₄ H₂S CO₂
NO NO₂ SO₂

OLIVER IGD
Triton House
Crosby Street
Stockport
SK2 6SH
England

Tel: +44 (0)161 483 1415
Fax: +44 (0) 161 484 2345
Email: sales@internationalgasdetectors.com
Website: www.internationalgasdetectors.com



FS646773
Ref: T750ANO-6.2

PRODUCT DATA SHEET

www.internationalgasdetectors.com

OLIVER IGD

Control Systems

Transmitters

Sensors

Accessories

Standard Specifications

Power	12 to 26V DC
Construction	ABS
Display	Optional 2 x 8 RGB LCD
User	Options for E-Stop and Key Switch
I/O	1 off SPCO Relays 4A/230V AC Non-Inductive User Configurable from 650/750 Controllers 2 multifunction ports as: Digital Input Max 0.2Hz Digital Input 0-3V Max 0.2Hz 4-20mA input or Solid State Output 24V DC Max 100mA shared Across both Ports Input From TOC-10 Link Function
Sensor	Direct Pellistor Interface Input for IGD Toxic, Oxygen, Infra red and PID detectors
sounder	85dB
Communication	IGD Sentinel+ Protocol, 2-Wire Connection A,B
Temperature	0 to 55 Deg C
Humidity	0-95% RH Non-Condensing
Sealing	IP55
Mounting	Wall Mount
Weight	1.75Kg

Standard Features

Colour Change display:

Green: No Alarm

Flashing Red: alarm

Amber: Fault

Blue: Menu system

Custom Message Display:

Green (no alarm) Default Message: ALL CLEAR
Note this alternates with the gas reading for any connected detector.

Red (alarm) Default Message: GAS ALERT

Amber (fault) Default Message: SYSTEM FAULT

Messages can be altered as required.

I/O can be configured to suit application, as much or as little as required.

All settings battery backed on module

Constant monitoring for faults

Calibration interface for connected detectors

REF: T750ANO



OLIVER IGD
Triton House
Crosby Street
Stockport
SK2 6SH
England

Tel: +44 (0)161 483 1415
Fax: +44 (0) 161 484 2345
Email: sales@internationalgasdetectors.com
Website: www.internationalgasdetectors.com



FS646773
Ref: T750ANO-6.2

PRODUCT DATA SHEET

www.internationalgasdetectors.com

OLIVER IGD

Control Systems

Transmitters

Sensors

Accessories

EC Declaration of Conformity

Issuers name and address:

Oliver IGD Limited of
Triton House
Crosby St,
Stockport,
United Kingdom



Declares that the product listed as:

TOCSIN 750 SERIES ANNUNCIATOR

Addressable 2-Wire Gas Detection System I/O Point

Are in conformity with the provisions of the following European Directive(s) when installed, operated, serviced and maintained in accordance with the installation and operating instructions contained in the product documentation.

2004/108/EC EMC Directive
2006/95/EC Low Voltage Equipment Directive (note not applicable to 24V DC Powered Versions)
And that the standards and/or technical specifications referenced below have been applied or considered.

EN 60079-29-1:2016 Explosive Atmospheres. Gas detectors. Performance Requirements Of Detectors For Flammable Gases. **Conforms to***

EN 61000-6-2: 2005 EMC Generic standards. Immunity for industrial environments
EN 61000-6-4: 2007/A1: 2011 EMC Generic standards. Emission standard for industrial environments
EN 61000-3-2: 2014 EMC Limits. Limits for harmonic current emissions (equipment input current ≤ 16 A per phase)
EN 61000-3-3: 2013 EMC Limits. Limitation of voltage changes, voltage fluctuations and flicker in public low-voltage supply systems, for equipment with rated current ≤ 16 A per phase

Technical File Reference T750ANN-TF9

Product Markings **CE** **TOC-750-ANN** *SI*-serial number

Oliver IGD Limited Operate and Independently assessed ATEX/IECEX QAN.

Oliver IGD Limited operate an independently assessed Testing Agency: ISO9001:2015 Quality Management System.

Quality Assurance Certificate Number
ExVeritas 16PQAN0014

Quality Management Certificate Number
FS 646773

Quality Assurance Notification Number:
2585

TUV - SUD
Octagon House
Concorde Way
PO 15 5RL
Fareham



ExVeritas,
Units 16-18,
Abenbury Way,
Wrexham Industrial Estate,
Wrexham, UK, LL13 9UZ

BSI Assurance UK LTD,
Chiswick High Road,
London
W4 4AL
UK

Mehr Sicherheit.
Mehr Wert.

TUV Certificates and reports can be checked on-line at https://www.tuev-sued.de/industry_and_consumer_products/certificates

Issued by: Oliver IGD Limited, Stockport, SK2 6SH , United Kingdom

Signature:

Declaration of Conformity in accordance with EN ISO/IEC 17050-1:2010

Name

Andrew J Collier M.I.O.D

Position:

Managing Director

Date: 1.June 2016

Declaration Ref: T750ANN-DEC-3



International Gas Detectors

CH₄ H₂S CO₂
NO₂ NO₂ SO₂



Triton House
Crosby Street
Stockport
SK2 6SH
England

Tel: +44 (0)161 483 1415
Fax: +44 (0) 161 484 2345
Email: sales@internationalgasdetectors.com
Website: www.internationalgasdetectors.com



FS646773
Ref: T750ANO-6.2

PRODUCT DATA SHEET

www.internationalgasdetectors.com

OLIVER IGD

Control Systems

Transmitters

Sensors

Accessories

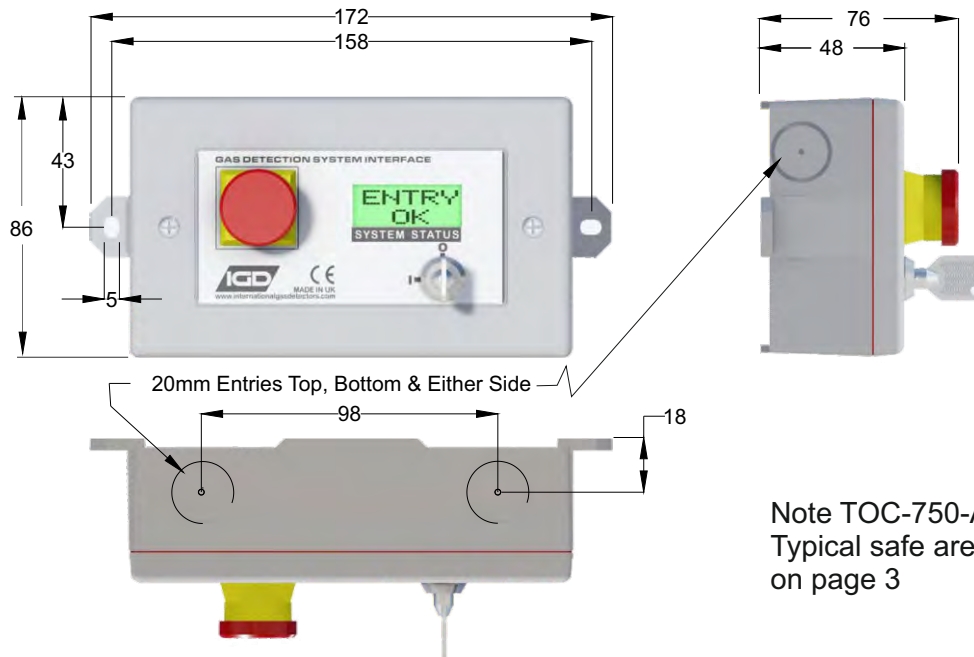
PART NUMBERS & FEATURES

Part Number	Description	Multifunction-IO	Relay	Sounder	Display	E-Stop	Key Switch	RGB Display
TOC-750-ANN	Base Unit with Gas Detector	✓	✓	✓	✓			✓
TOC-750-AN1	With E-Stop	✓	✓	✓	✓	✓		✓
TOC-750-AN2	With Key Switch	✓	✓	✓	✓		✓	✓
TOC-750-AN3	With Key Switch & E-Stop	✓	✓	✓	✓	✓	✓	✓
TOC-750-NDE	No Display IO Function Only	✓	✓					

Annunciator Technical

Housing	ABS
Sealing	IP65 (using suitable glanding)
Environment	0 -95% RH Non Condensing
Temperature	0-55 Deg C
Voltage	12-26V DC
Communication	IGD Sentinel+ Protocol 2-Wire Power and Data Highway Connections as: A, B
Relay	4A Non Inductive Loads 230V AC
Inputs/Outputs	Gas Detector, TOC-10 Link Function Input (see TOC-10), Digital Switch, Solid State Outputs
Sounder	85dB
Display	2 x 8 Programmable LCD with RGB Backlight

Annunciator Mounting details and dimensions



Note TOC-750-AN3 Shown
Typical safe area detector
on page 3

IGD

International Gas Detectors

CH₄ H₂S CO₂
NO NO₂ SO₂

OLIVER IGD

Triton House
Crosby Street
Stockport
SK2 6SH
England

Tel: +44 (0)161 483 1415

Fax: +44 (0) 161 484 2345

Email: sales@internationalgasdetectors.com

Website: www.internationalgasdetectors.com



FS646773
Ref: T750ANO-6.2

PRODUCT DATA SHEET

www.internationalgasdetectors.com

OLIVER IGD

Control Systems

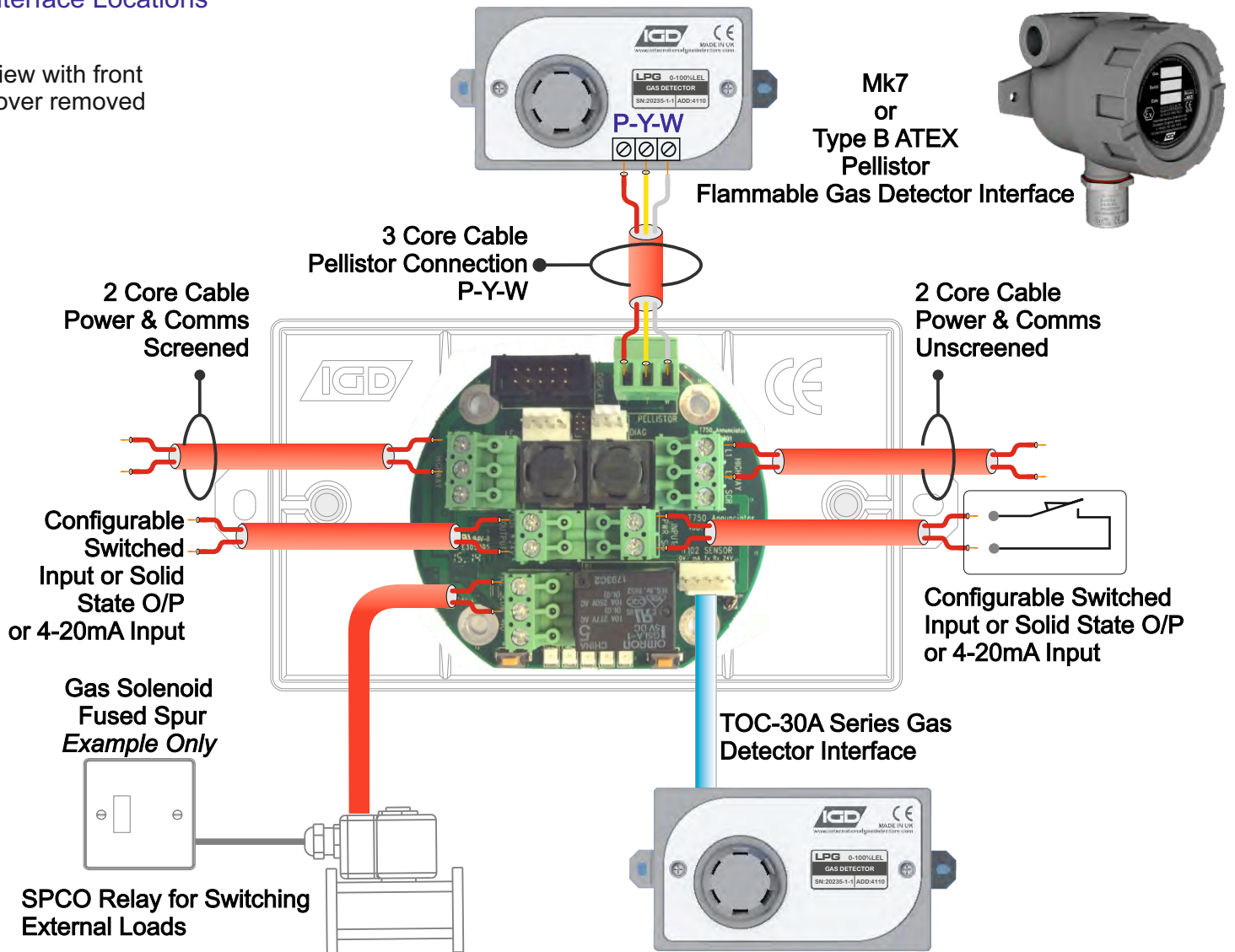
Transmitters

Sensors

Accessories

Interface Locations

View with front cover removed



PRODUCT DATA SHEET

www.internationalgasdetectors.com



Control Systems

Transmitters

Sensors

Accessories

System Example



2-Wire
Addressable



Controller in Supervisors Office

Where Required For Longer Cable Runs or Where Device and Accessory Density is High add Power Boosters or Cascade Hubs to Increase Distance Capability to up to 3KM



ATEX Zoned Area

Mix Annunciators With Other Addressable Devices Such as TOC-750 Series Detectors. Use ATEX Rated detectors where required.

Use Room Status Indicators For Room Entry Control.



Use Room Status Indicators with Gas Detector Interfaces to Detect & Alarm in Specific Areas
Laboratory

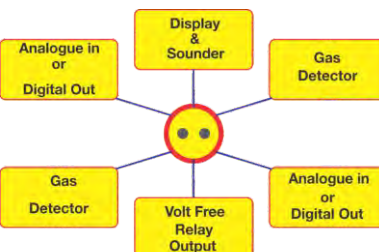


Gas Bottle Store



Use the Detector or Annunciator I/O Capability to Control Gas Supply Valves, Beacon-Sounders or other devices

2 Core Highway as:
24V L1,L2
Typically 1.5mmSQ
Screened Cable



Each Detector Node Has Multiple I/O



International Gas Detectors



Triton House
Crosby Street
Stockport
SK2 6SH
England

Tel: +44 (0)161 483 1415

Fax: +44 (0) 161 484 2345

Email: sales@internationalgasdetectors.com

Website: www.internationalgasdetectors.com



FS646773
Ref: T750ANO-6.2