

# PRODUCT DATA SHEET

www.internationalgasdetectors.com

**OLIVER IGD**

Control Systems

Transmitters

Sensors

Accessories

## TOC-30-NODE Addressable IO Node



TOC-30 Series IO Nodes provide an addressable interface to third party devices. The nodes are equipped with two independent relay outputs and two independent analogue signal inputs. Each IO point has its own unique system address. This allows the relays to be assigned from a Tocsin series control panels for alarm signalling, Audio visual outputs etc. The analogue inputs can be used to interface third party equipment such as pressure, temperature, flow transmitters etc. These can then be read back addressably onto a Tocsin series controller in the same manner as any standard addressable IGD gas detector.

### Basic Node Specification Electrical

2 off Single Pole Relays Rated At  
3 Amps @ 230V AC Non Inductive  
5 Amps @ 30V DC Non Inductive  
2 off Analogue Inputs Available as Either  
0-5V DC Input or 4-20mA Input  
Switch Input Function (On/Off)

### Basic Node Specification Environmental

Temperature: 0 to 55 C  
Humidity: Up to 95% Non-Condensing  
CE Declaration  
BS EN61000-6-4 EMC Compatibility 'Emissions'  
BS EN 61000-6-2:2001 EMC Compatibility 'Immunity'  
BS EN 61010-1:2001 Safety requirements, electrical equipment

Data Highway  
Typically 4 Core Screened Cable  
Refer to Manual



ATEX Version Available

TOC-30 Series IO nodes mixed with gas detectors on addressable system highways (Tocsin i700 series controller shown for illustration)

Airflow

Beacon-Sounder

**IGD**

International Gas Detectors

CH<sub>4</sub> H<sub>2</sub>S CO<sub>2</sub>  
NO NO<sub>2</sub> SO<sub>2</sub>

**OLIVER IGD**

Triton House  
Crosby Street  
Stockport  
SK2 6SH  
England

Tel: +44 (0)161 483 1415

Fax: +44 (0) 161 484 2345

Email: sales@internationalgasdetectors.com

Website: www.internationalgasdetectors.com



FS646773  
Ref: IGD-30N-3

# PRODUCT DATA SHEET

www.internationalgasdetectors.com

**OLIVER IGD**

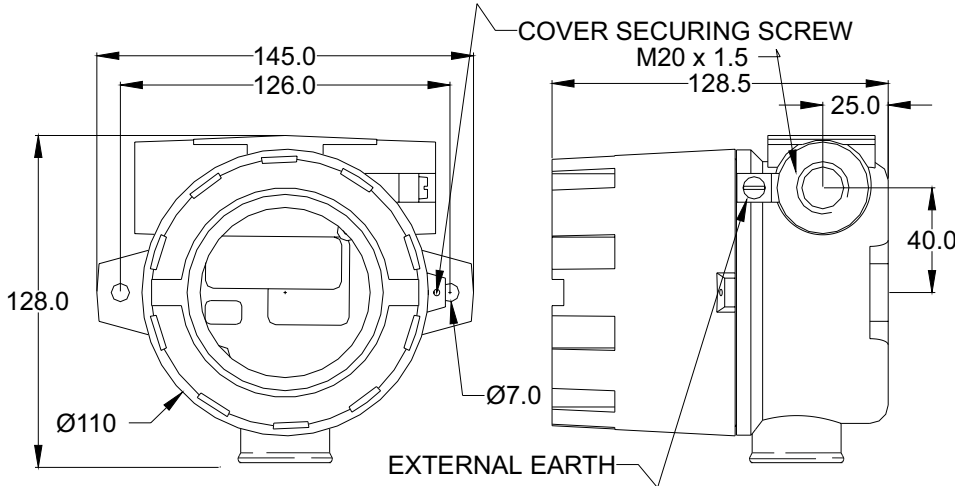
Control Systems

Transmitters

Sensors

**Accessories**

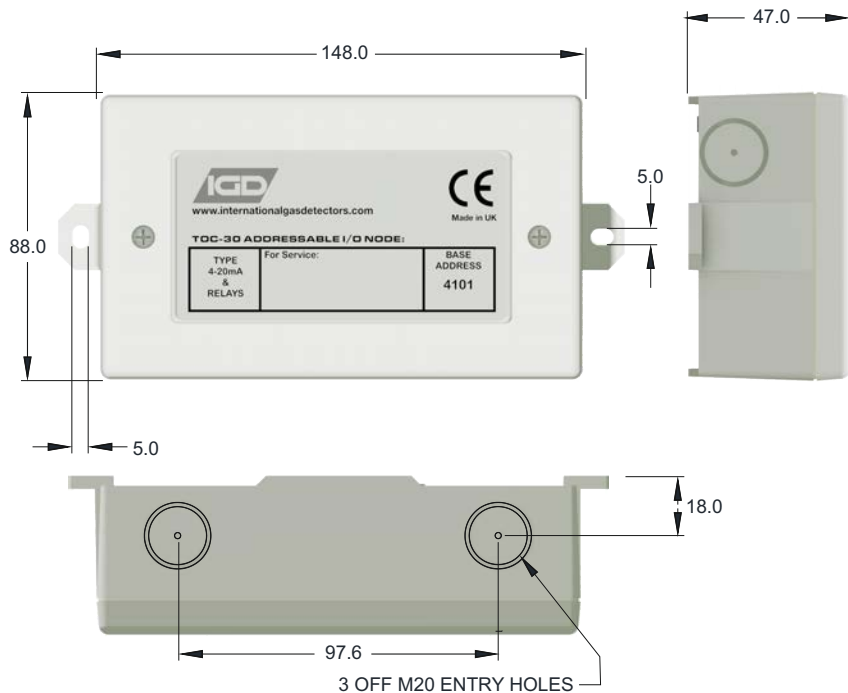
## MOUNTING DETAILS AND DIMENSIONS ATEX VERSION PN 5138011



### ATEX Version Specifications:

Material:	Aluminium Pressure Die Casting max 0.5% Mg
IP Rating	IP67
Entries	3 off M20 x 1.5
Weight	1.1 KG
Approvals	Ex d IIC T6 CE 0518 II 2 G D Epsilon07ATEX2287x

## MOUNTING DETAILS AND DIMENSIONS SAFE AREA VERSION PN TOC-30A-NODE



### Safe Area Version Specifications:

Material:	Hi Temp ABS
IP Rating	IP65 With Correct Glanding
Entries	6 off M20
Weight	170 Grams
Approvals	TUV-SUD

**IGD**

International Gas Detectors

CH<sub>4</sub> H<sub>2</sub>S CO<sub>2</sub>  
NO<sub>2</sub> SO<sub>2</sub> NO<sub>2</sub> SO

**OLIVER IGD**

Triton House  
Crosby Street  
Stockport  
SK2 6SH  
England

Tel: +44 (0)161 483 1415

Fax: +44 (0) 161 484 2345

Email: sales@internationalgasdetectors.com

Website: www.internationalgasdetectors.com



FS646773  
Ref: IGD-30N-3

# PRODUCT DATA SHEET

www.internationalgasdetectors.com

**OLIVER IGD**

Control Systems

Transmitters

Sensors

Accessories

## EC Declaration of Conformity



Issuers name and address:

Oliver IGD Limited of  
Triton House  
Crosby St,  
Stockport,  
United Kingdom

Declares that the product listed as:

**TOC 30 SERIES I/O NODE**

Addressable 4-Wire Interface I/O Point with 2 off Analogue Inputs  
and 2 off Relay Outputs

Are in conformity with the provisions of the following European Directive(s) when installed, operated, serviced and maintained in accordance with the installation and operating instructions contained in the product documentation.

**2004/108/EC**

**EMC Directive**

**94/9/EC**

**also known as 'ATEX 95' or 'the ATEX Equipment Directive**

And that the standards and/or technical specifications referenced below have been applied or considered.

EN 61779-1:2000

Electrical apparatus for the detection and measurement of flammable gases, general requirements and test methods.

EN 50271:2010

Electrical apparatus for the detection and measurement of combustible gases, toxic gases or Oxygen: requirements and tests for apparatus using software and or digital technologies.  
*Excluding requirements for SIL*

EN 61000-6-2: 2005

EMC Generic standards. Immunity for industrial environments

EN 61000-6-4: 2007

EMC Generic standards. Emission standard for industrial environments

EN 61000-3-2/A2:2009

EMC Limits. Limits for harmonic current emissions (equipment input current  $\leq 16$  A per phase)

EN 61000-3-3: 2008

EMC Limits. Limitation of voltage changes, voltage fluctuations and flicker in public low-voltage supply systems, for equipment with rated current  $\leq 16$  A per phase

Technical File Reference

T107-TF9

Product Markings



**TOC-30-NODE**

*SI*-serial number

Oliver IGD Limited Operate and Independently assessed ATEX/IECEX QAN.

Oliver IGD Limited operate an independently assessed ISO9001:2008 Quality Management System.

Testing Agency:

Quality Assurance Certificate Number  
**ExVeritas 16PQAN0014**

Quality Management Certificate Number  
**FS 646773**

TUV - SUD  
Octagon House  
Concorde Way  
PO 15 5RL  
Fareham



Quality Assurance Notification Number:  
**2585**

ExVeritas,  
Units 16-18,  
Abenbury Way,  
Wrexham Industrial Estate,  
Wrexham, UK, LL13 9UZ

BSI Assurance UK LTD,  
Chiswick High Road,  
London  
W4 4AL  
UK

Mehr Sicherheit.  
Mehr Wert.

TUV Certificates and reports can be checked on-line at [https://www.tuev-sued.de/industry\\_and\\_consumer\\_products/certificates](https://www.tuev-sued.de/industry_and_consumer_products/certificates)

Issued by: Oliver IGD Limited, Stockport, SK2 6SH, United Kingdom

Signature:

Declaration of Conformity in accordance with EN ISO/IEC 17050-1:2010

Name

Andrew J Collier M.I.O.D

Position:

Managing Director

Date: 11.June 2016

Declaration Ref: T30N-DEC-2



International Gas Detectors

CH<sub>4</sub> H<sub>2</sub>S CO<sub>2</sub>  
NO<sub>2</sub> SO<sub>2</sub> NO<sub>2</sub> CO



Triton House  
Crosby Street  
Stockport  
SK2 6SH  
England

Tel: +44 (0)161 483 1415

Fax: +44 (0) 161 484 2345

Email: [sales@internationalgasdetectors.com](mailto:sales@internationalgasdetectors.com)

Website: [www.internationalgasdetectors.com](http://www.internationalgasdetectors.com)



FS646773  
Ref: IGD-30N-3