

PRODUCT DATA SHEET

Control Systems

Transmitters

Sensors

Accessories

EX d JUNCTION BOXES

A three entry junction box for use with the IGD range of gas detectors but also finding many other uses in industrial installations.

Specifications:

Part Number: 5045802

Material: Aluminium Pressure Die Casting
max 0.5% Mg

IP Rating IP67 (Silicone O Ring Lid Seal)

Entries 3 off M20 x 1.5

Weight 1.1 KG

Approvals

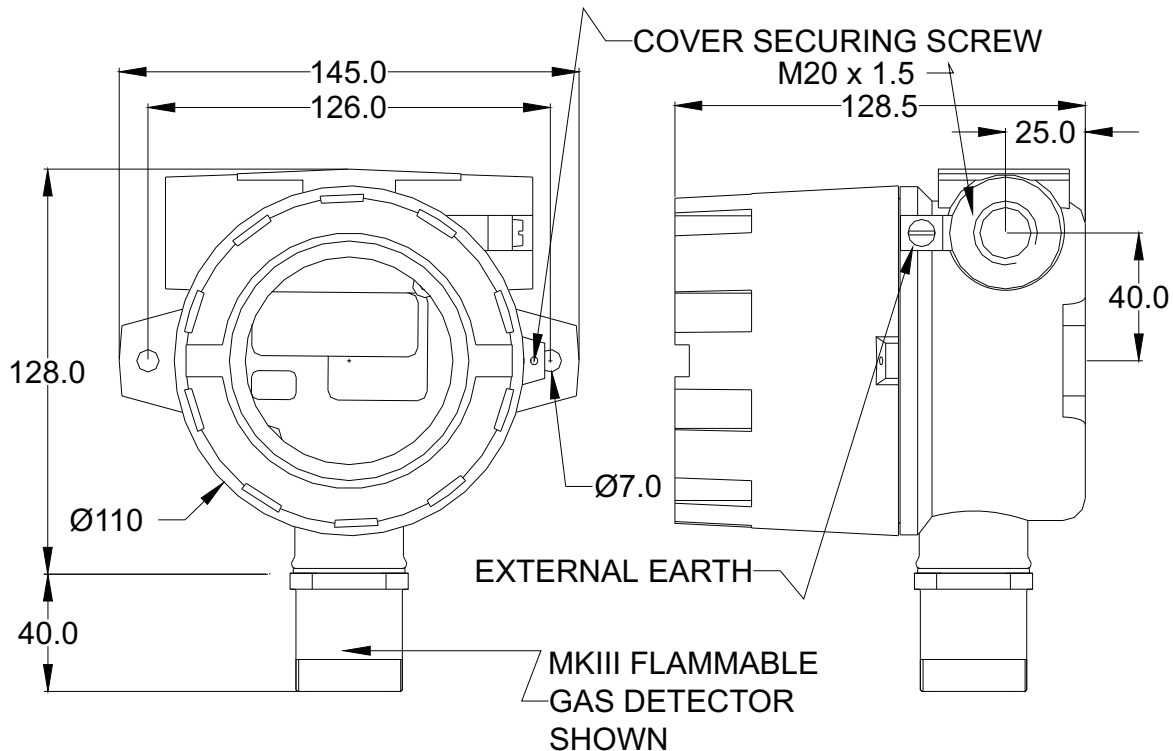


II 2 D G Ex db IIC T6 Gb
IECEX EXV16.0002X
Ex Veritas 16ATEX0140X
Ex tb IIIC Db. M20 Entries



MOUNTING DETAILS AND DIMENSIONS

(JUNCTION BOX SHOWN COMBINED WITH MKIII GAS DETECTOR)



Triton House
Crosby Street
Stockport
SK2 6SH
England

Tel: +44 (0)161 483 1415
Fax: +44 (0) 161 484 2345
Email: sales@internationalgasdetectors.co.uk
Website: www.internationalgasdetectors.co.uk

Document Ref: ROS334 V5 Page 1



FS646773

EMS696504

EC Declaration of Conformity

Issuers name and address:

Oliver IGD Limited of
Triton House
Crosby St,
Stockport,
United Kingdom



JB3

Flameproof 'd' Junction Box with electronics or terminals certified for use in potentially explosive atmospheres. Note can be used in conjunction with 102 or MK3 series gas detectors and I/O Nodes.

Are in conformity with the provisions of the following European Directive(s) when installed, operated, serviced and maintained in accordance with the installation and operating instructions contained in the product documentation.

2004/108/EC **EMC Directive**
2014/34/EU **ATEX Directive**

And that the standards and/or technical specifications referenced below have been applied or considered.

EN 60079-0:2012	Equipment for use in explosive atmospheres. General requirements
EN 60079-1:2014	Equipment for use in explosive atmospheres. Flameproof enclosures 'd'
EN 60079-31:2014	Equipment for use in explosive atmospheres. Housing Markings
EN 60079-29-1:2016	Explosive Atmospheres. gas Detectors. Performance requirements of Detectors for Flammable Gases
EN 50271:2010	Electrical apparatus for the detection and measurement of combustible gases, toxic gases or Oxygen: requirements and tests for apparatus using software and or digital technologies. <i>Excluding requirements for SIL</i>
EN 61000-6-2: 2005	EMC Generic standards. Immunity for industrial environments
EN 61000-6-4: 2007	EMC Generic standards. Emission standard for industrial environments
EN 61000-3-2/A2: 2009	EMC Limits. Limits for harmonic current emissions (equipment input current ≤ 16 A per phase)
EN 61000-3-3: 2008	EMC Limits. Limitation of voltage changes, voltage fluctuations and flicker in public low-voltage supply systems, for equipment with rated current ≤ 16 A per phase
Technical File references	T903-TF9 Technical construction File AD199 ATEX Approval Document File

Product Markings

Serial Number- XXXXXXXXX

ATEX Approved
IECEX Approved



II 2 D G Ex db IIC T6 Gb
IECEX EXV16.0002X
ExVeritas 16ATEX0140X
Ex tb IIIC Db. M20 Entries



Quality Assurance Certificate Number
16PQAN0014
Quality Assurance Notification Number:
2585



Oliver IGD Limited operate an independently assessed ISO9001:2015 Quality Management and ISO14001:2015 Environmental Management System

Certificate Numbers
FS0646773 & EMS696504

EMC Tested by:

TUV - SUD
Octagon House
Concorde Way
PO 15 5RL Fareham



Certificate Number
E8N 15 02 91327 002




Units 16-18 Abenbury Way,
Wrexham Industrial Estate,
Wrexham, LL13 9UZ
United Kingdom

BSI Assurance UK LTD,
London, W4 4AL

TUV Certificates and reports can be checked on-line at
https://www.tuev-sued.de/industry_and_consumer_products/certificates
Select Oliver IGD when prompted on the website to view certificates

Issued by: Oliver IGD Limited, Stockport, SK2 6SH , United Kingdom

Signature:  Declaration of Conformity in accordance with EN ISO/IEC 17050-1:2010
Name: Andrew J Collier M.I.O.D
Position: Managing Director Date: 25/02/2020 Declaration Ref: JB3-DEC-10



Triton House
Crosby Street
Stockport
SK2 6SH
England

Tel: +44 (0)161 483 1415
Fax: +44 (0) 161 484 2345
Email: sales@internationalgasdetectors.co.uk
Website: www.internationalgasdetectors.co.uk



FS646773

EMS696504

Document Ref: ROS334 V5 Page 2